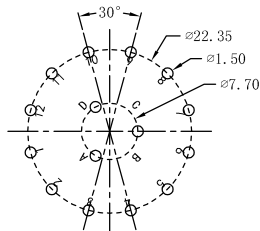
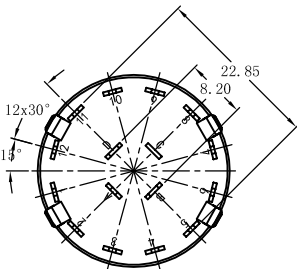
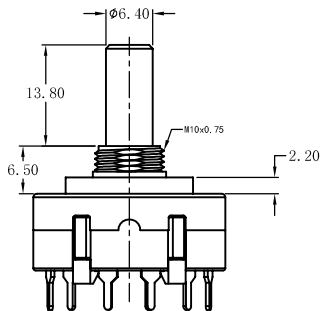
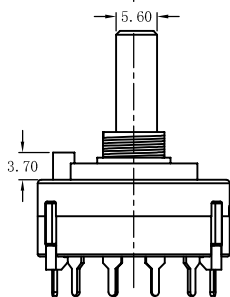
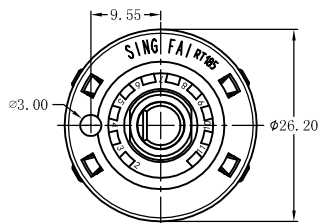
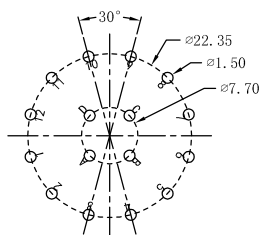


RT185 Series



3P Model



4P Model

SP Model (Omit terminals B, C&D)

DP Model (Omit terminals B&D)

钻孔架可焊接
印刷电路

RT185

-11

-3

-K

-A2

-S

-N

Function & Circuit type See attached	Current		Housing color		Actuator Type	Terminal Type		Nut Type	
	3	2.5A 125V AC	K	Black		P	1.0x0.51HK	O	None
					A1	S	2.30x0.51HK	N	
					A2				
					A3				