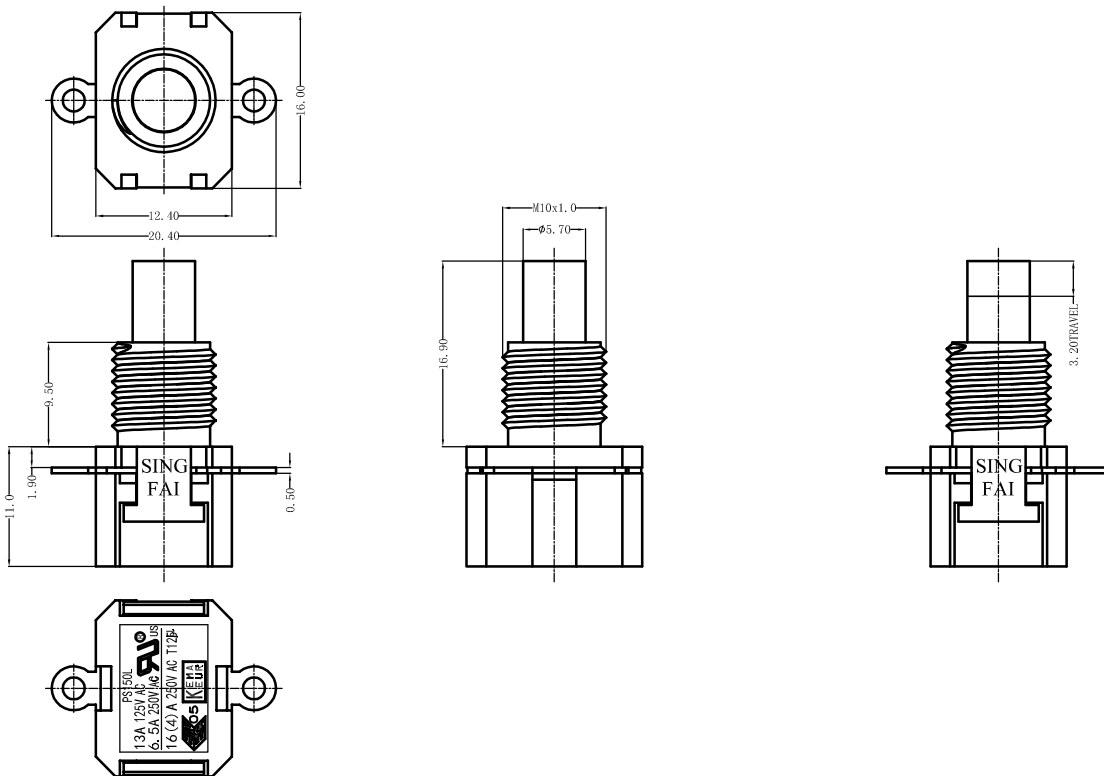


PS-XXXX-150L Series

Safety Approval & Specification

13A 125V a.c. 6.5A 250V a.c.	16(4)A 250V a.c. T125	
10A 125V a.c. 5A 250V a.c.		
6A 125V a.c. 3A 250V a.c.		



PS- 1 2 1 3 - 150L

Function	Rating
A ON-OFF	13A 125V a.c.
E (OFF)-ON	16(4)A 250V a.c. T125

-02

-F600

-N1

Terminal Type	Operation Force	Nut type
NONE	F600 600 gf	None
	F1000 1000 gf	N1
01		N2
02		

