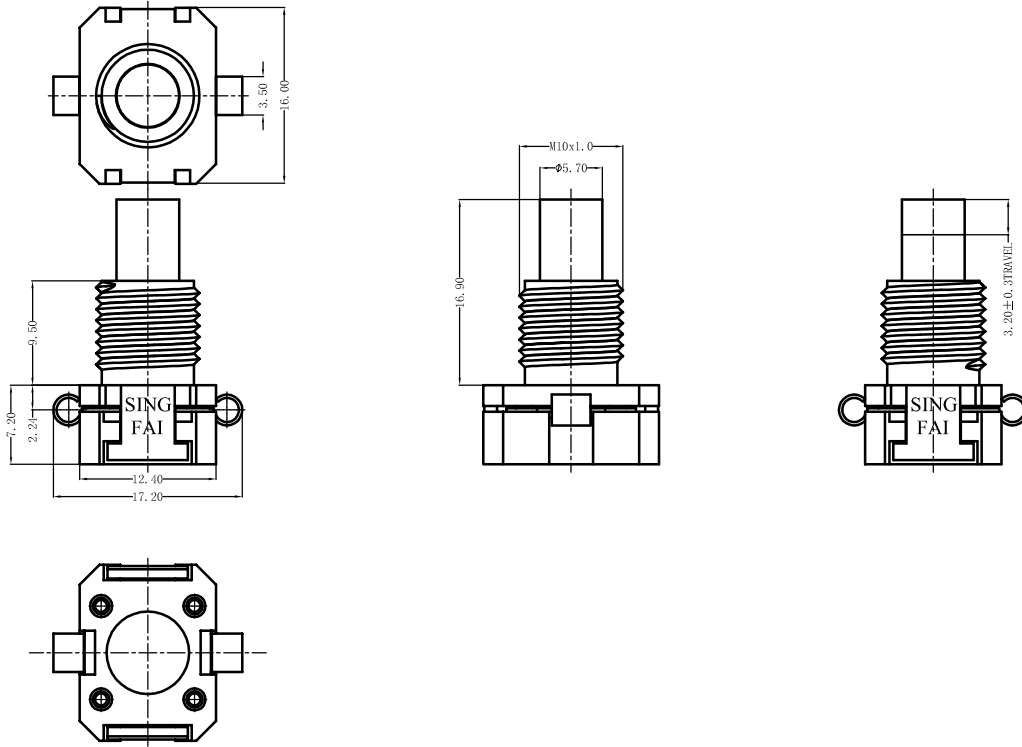


PS-XXXX-150J Series



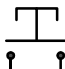


PS-

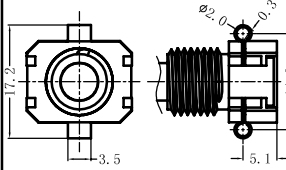
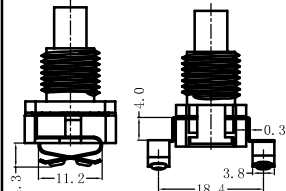
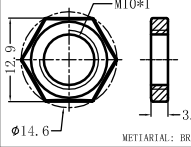
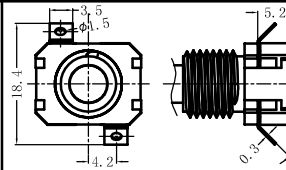
1	2	0	1
---	---	---	---

-150J

-K1

-02

Function	Current
 12   ON-OFF	01 1A 125V AC 0.5A 250V AC

	Terminal Type	Nut (Option)
NONE		None No Nut
01		N1 
02		N2 