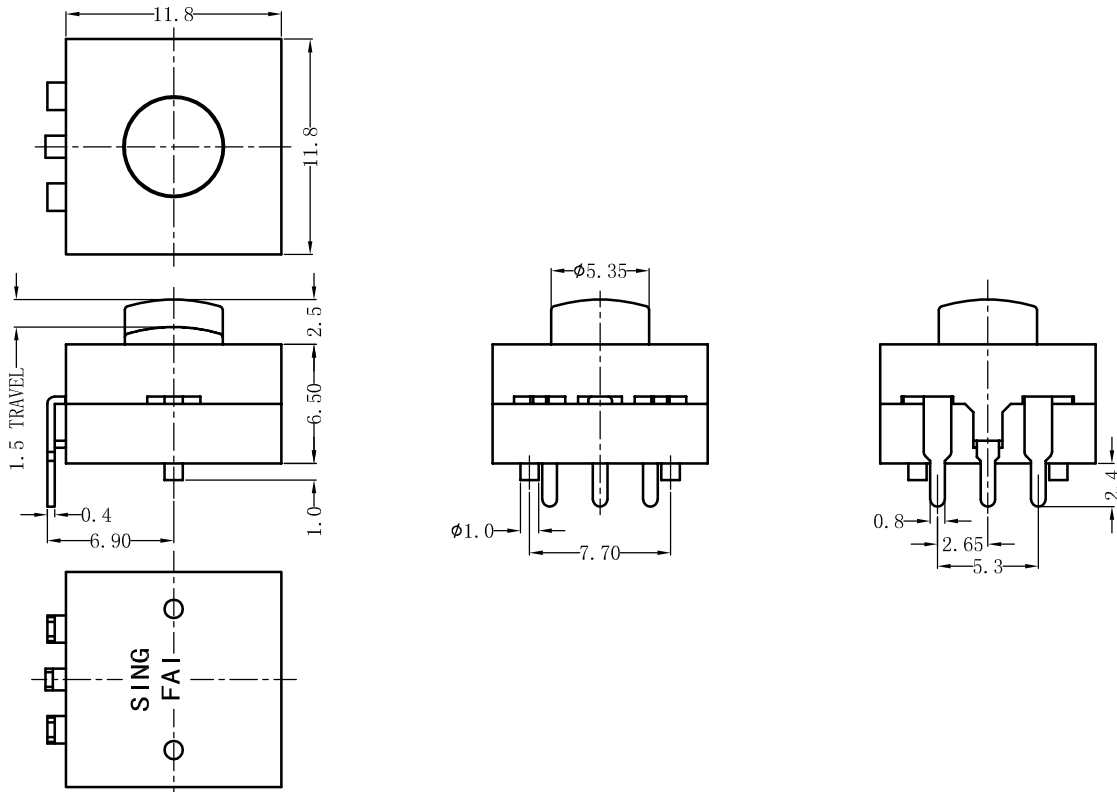


PS-XXXX-150D-XT Series



PS ————

1	2
0	1

 ———— 150D ———— 2T ———— 01 ———— SD

FUNCTION	CIRCUIT			Current
	Pos. 1	Pos. 2	Pos. 3	
12 1P2T With "Try me"				01 1A 125V AC 1A 12V DC
13 1P3T				
12 1P2T				

	Terminal type	Lower housing type	Flash function
2T		02 	SD With "Try me"
3T			