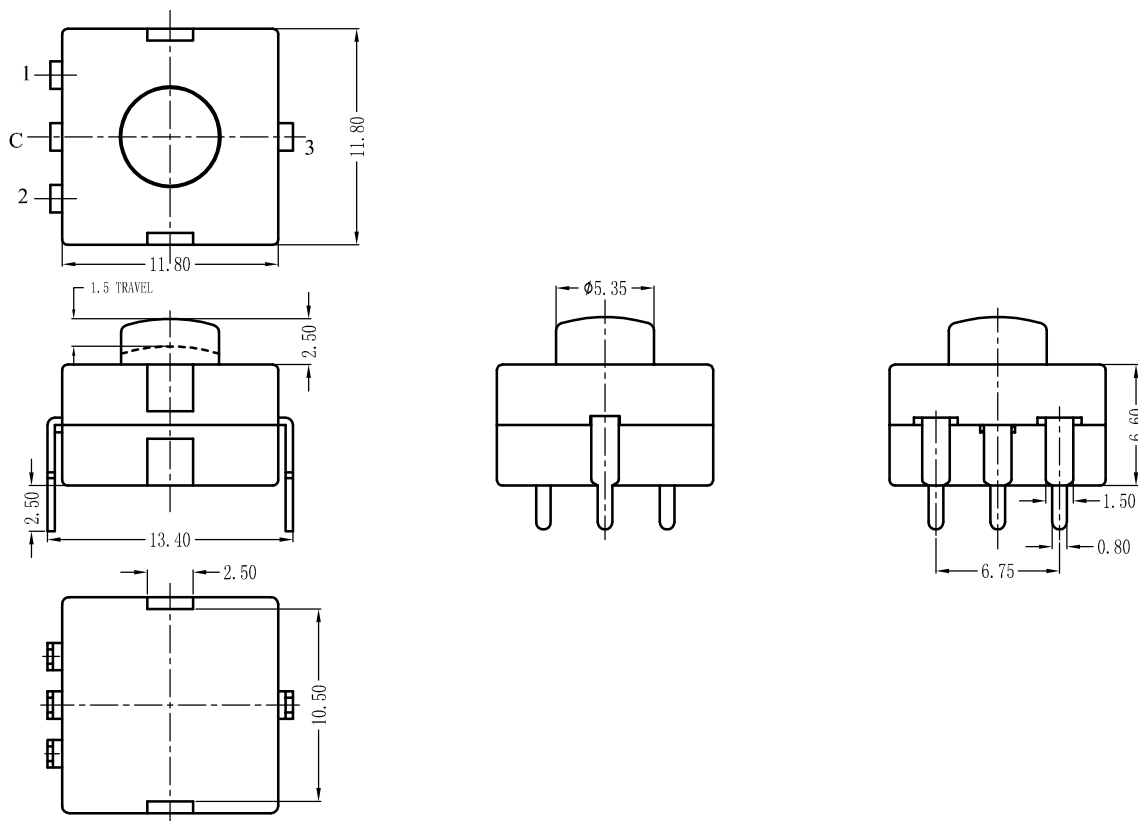


# PS-XXXX-150D Series



PS ——— 

1	2	0	1
---	---	---	---

 ——— 150D L ——— 01 ——— S1

FUNCTION	CIRCUIT				Current	Terminal number	Lower housing type	Terminal type
	Pos. 1	Pos. 2	Pos. 3	Pos. 4				
1 2 1P2T					01 1A 125V AC 1A 12V DC	L 	01 	See attached
1 2 1P2T								
1 3 1P3T						L-S4 		
1 4 1P4T								