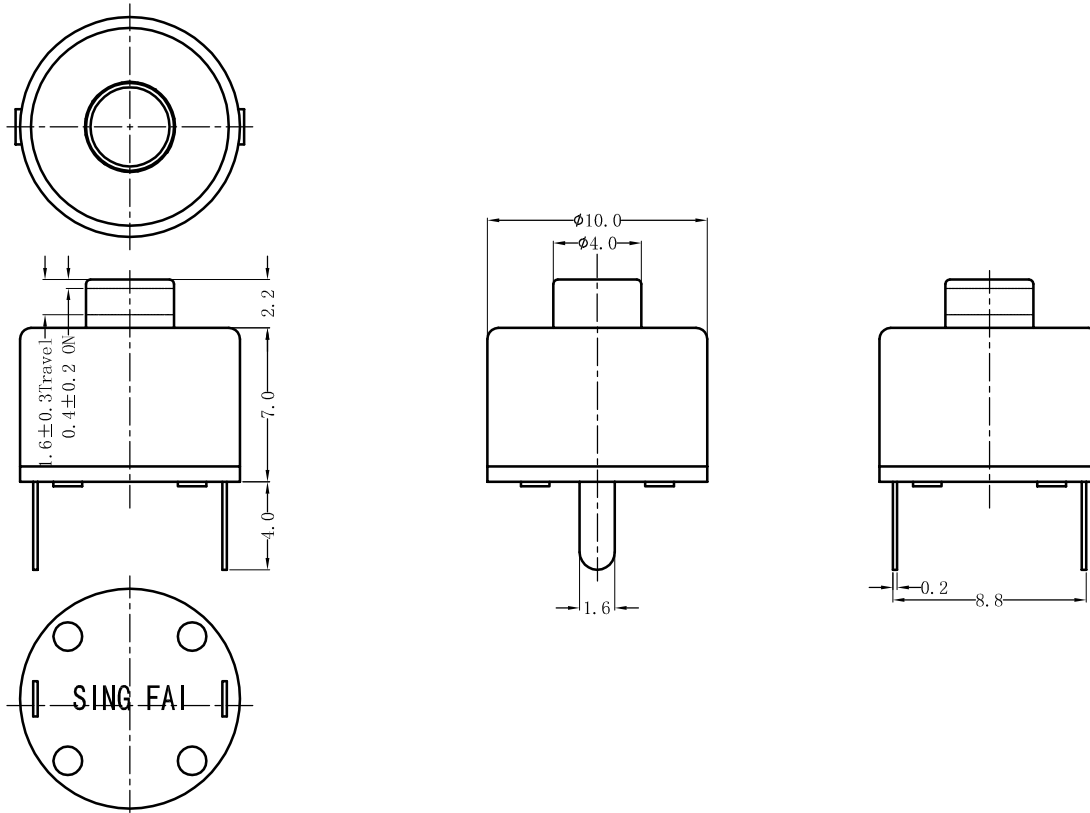


PS-XXXX-150A Series



PS — 1 2 | 0 2 — 150A — K1 — T1

Circuit	Remark	Current	Knob Type	Terminal type
12 	OFF-ON With "Try me" Function	02 1.5A 6V DC	K1 K1	T1