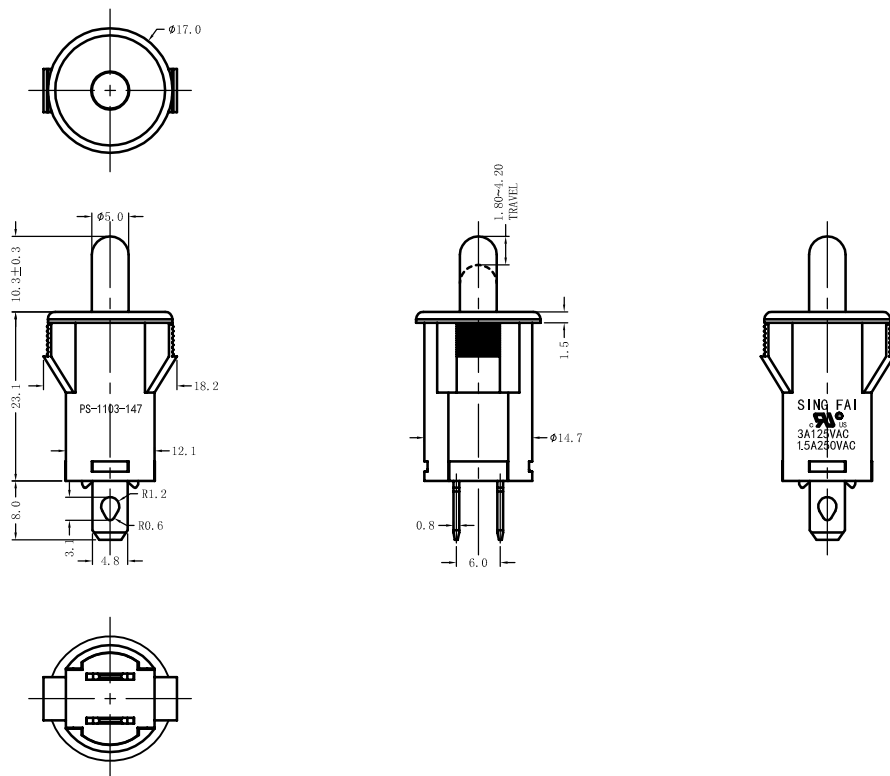


# PS-XXXX-147 Series

## Safety Approval & Specification



3A 125V a.c.  
1.5A 250V a.c.



PS — 1 1 0 3 — 147

Circuit	Current
11 	03 3A 125V AC 1.5A 250V AC