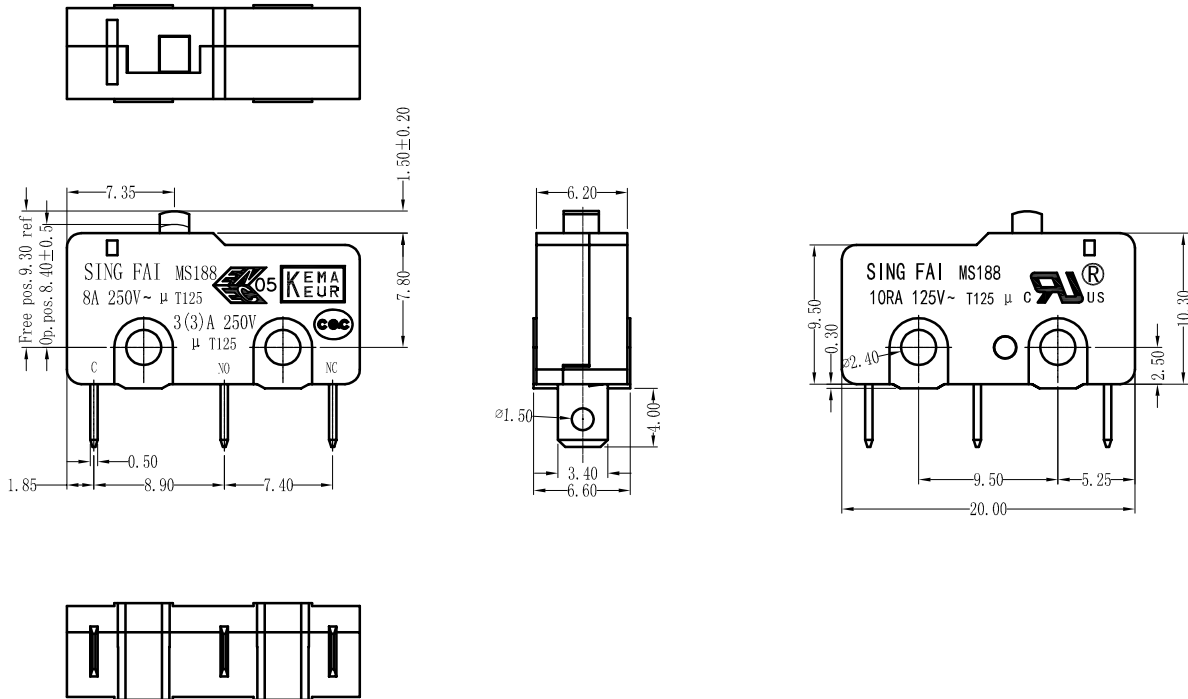


# MS188 Series

## Safety Approval & Specification

UL61058					
10RA 125V a.c.	T125 T85 6E3	8A 250VAC	T125	8A 250VAC	T125
6RA 125V a.c.		3(3)A 250VAC		T125	
1RA 125V a.c.					



## MS188 -F -10 -T125 -F220 -L -T1

Function	Current	Temperature	Operating force	Handle Type	Terminal Type
D (ON)-OFF Push ON	10	10RA 125V a.c.	F220 220 gf.	O	T1
E (OFF)-ON Push OFF		8A/3(3)A 250V a.c.			
F (ON)-ON	6	6RA 125V a.c.	F70 70 gf.	A	T2
	1	1RA 125V a.c.			
				L	P
				LA	P1
				LC	P2
				LE	
				LF	
				LG	
				LH	
				LJ	